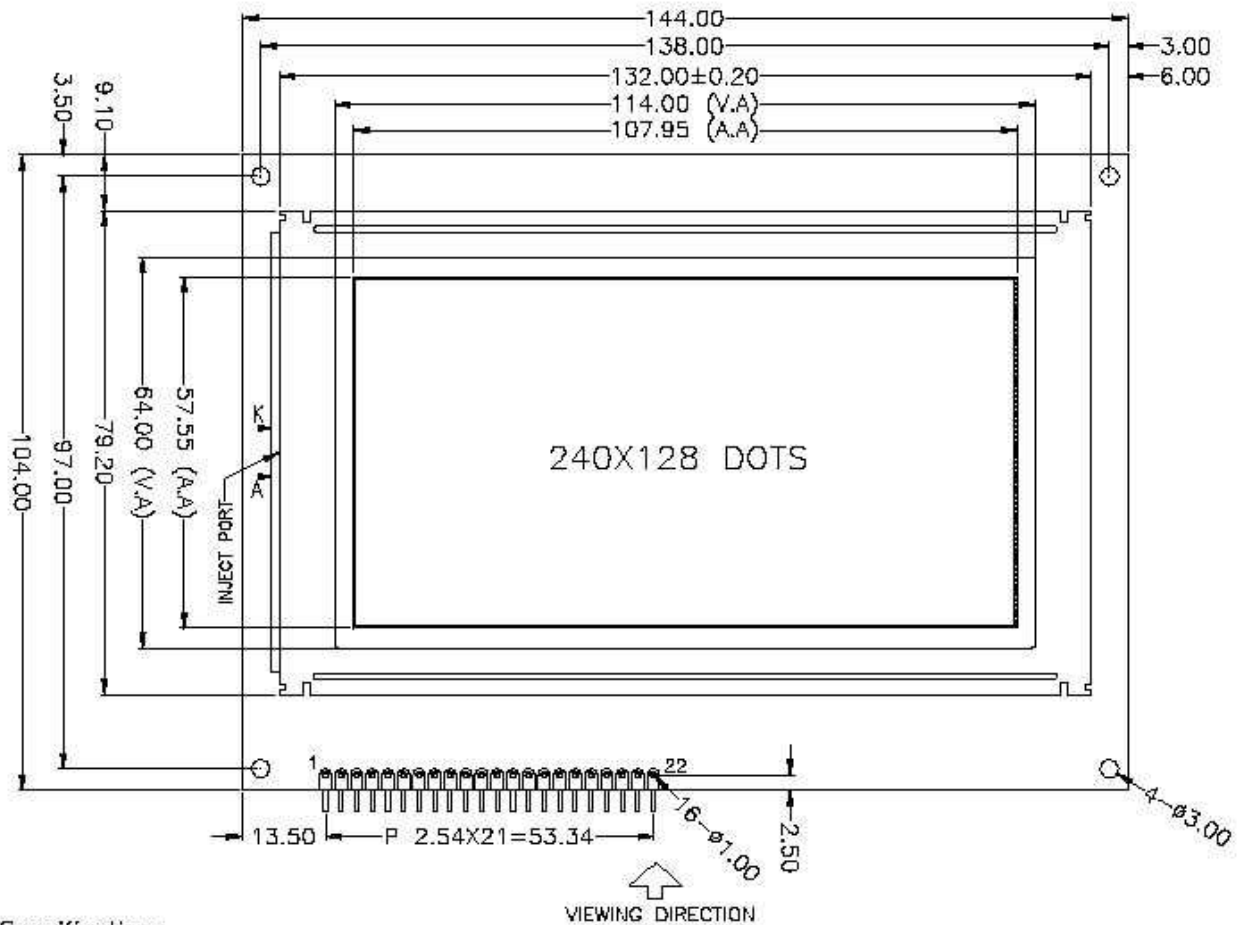


# Wyświetlacz graficzny LCD 240x128 biało-niebieski BIW

LCD-AG-240128N-BIW W/B-E6

Wyświetlacz graficzny 240x128 z podświetlaniem LED (WHITE) NEGATIVE BLUE!!  
kontroler T6963C - wbudowany generator znaków

Wymiary:



-Specification:

- 1). Driving: Duty:1/128, Bias:1/12, Vdd:5.0V, Vlcd:14.5V
- 2). Viewing direction: 6 O'clock
- 3). Display mode: STN/Negative/Transmissive/Blue
- 4). Operating temp.: -20°C ~ +70°C
- 5). Storage temp.: -30°C ~ +80°C
- 6). Drive ic: T6963C
- 7). Backlight: White
- 8). Dimensions with mark "\*" are important,  
with mark "()" are referenced

Opis wyprowadzeń:

No.	Symbol	Function
1	A	Backlight supply voltage(+5V)
2	K	Backlight supply voltage(-)
3	VOUT	Negative voltage output
4	V0	Negative voltage input
5	PD	Control pin for oscillation
6	GND	VSS(0V)
7	VDD	Power supply for Logic(+5.0V)
8	VEE	LCD supply voltage
9	/WR	Write signal
10	/RD	Read signal
11	/CE	Chip selection signal
12	C/D	Data or Instruction select signal(H: data register L:instruction register)
13	/RST	Reset signal
14-21	DB0-DB7	Data bus line
22	FS	Font selection terminal